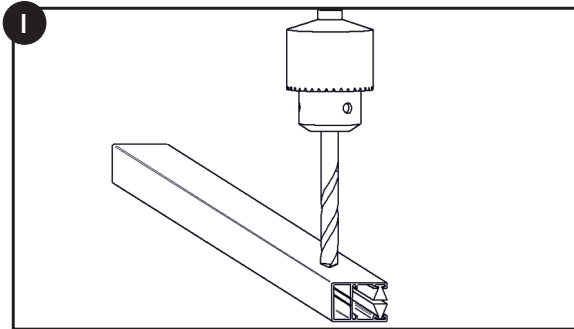
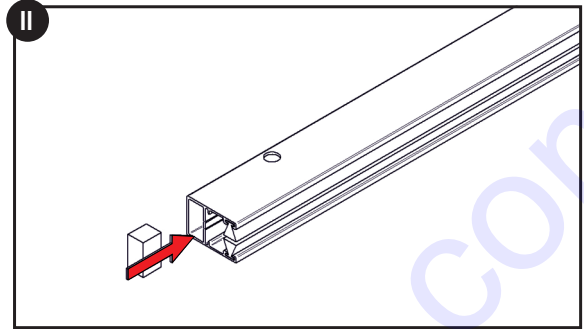


ROLLER MOSQUITO SCREEN

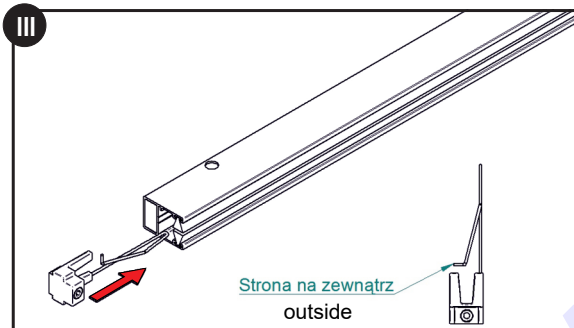
INSTALLATION MANUAL



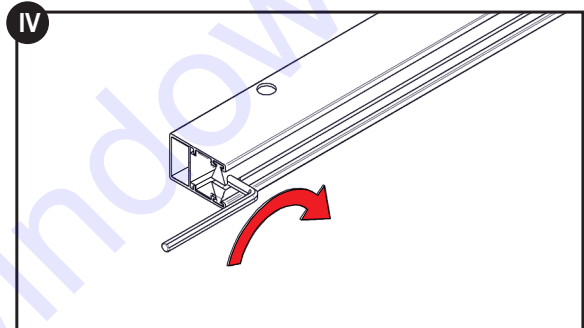
I. Drill holes in the guides approx. 2" away from the top and bottom edges and at intervals of 10-20" between holes.



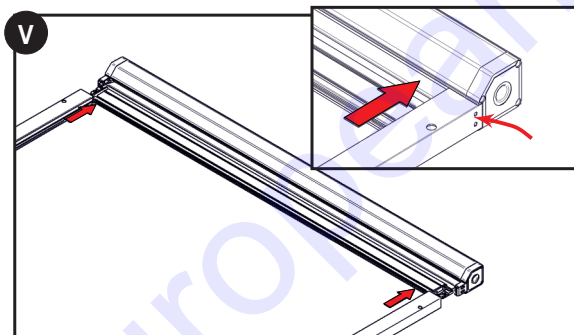
II. Insert the bottom plugs into the guides.



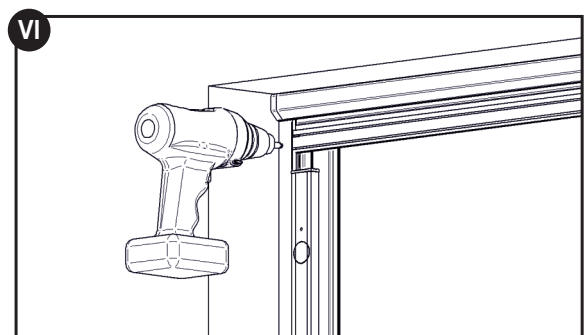
III. Insert the KLIK-KLAK clip into the guides from the bottom, paying attention to placing them in the correct guide.



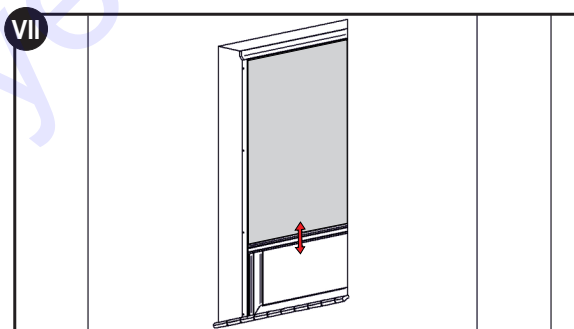
IV. Tighten the hook locking screw.



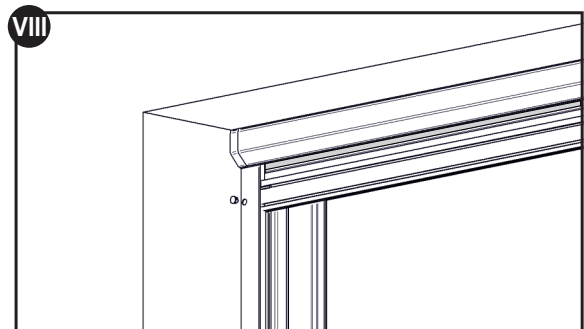
V. Put the cassette with mesh on the guides. Slide the guides to fasten the side hooks in the holes.



VI. Place the mosquito net on the window and screw it to the window frame after checking the vertical and level.



VII. Check the correct functioning of the mosquito net. If necessary, change the height of the attachment of the catches in the guides.



VIII. Insert the screw holes plugs.