



GENESIS BUILDING
PRODUCTS

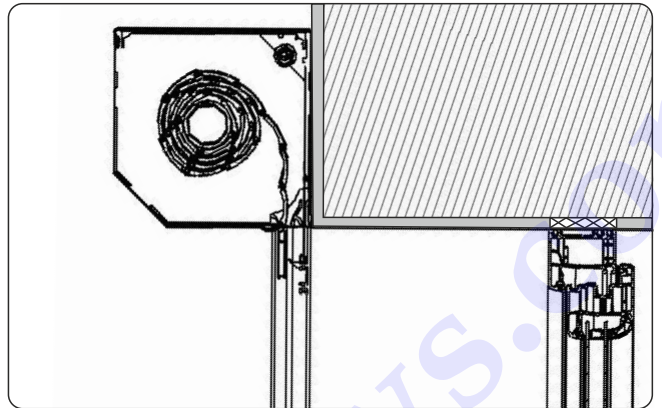
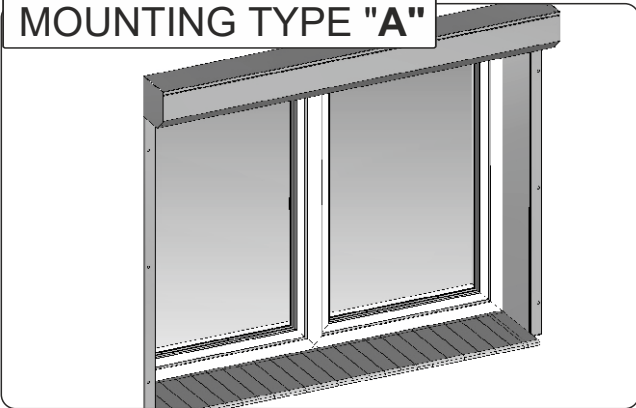
MOUNTING INSTRUCTION ROLLER SHUTTER

GBP-ST2000
WITH MOSQUITO SCREEN

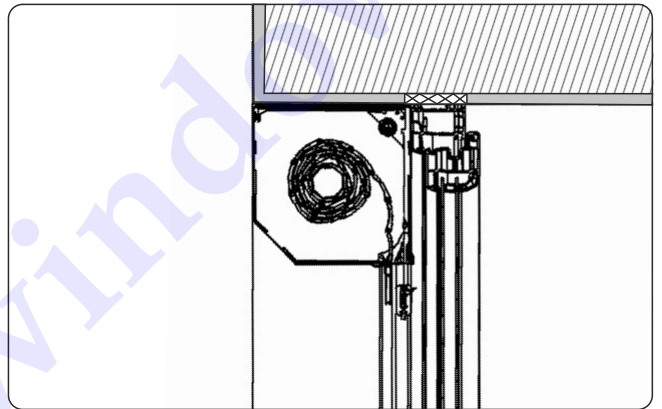
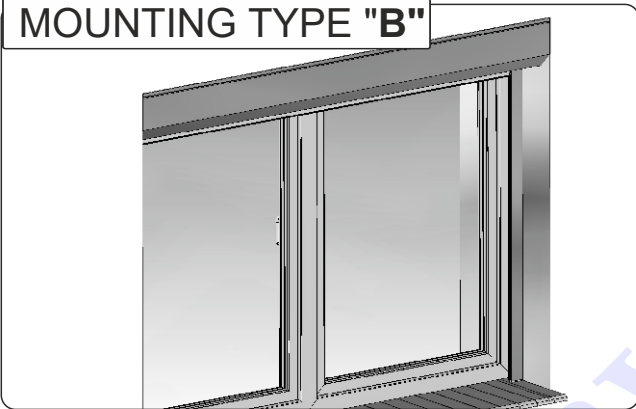


EXTERNAL ROLLER SHUTTERS MOUNTING TYPES

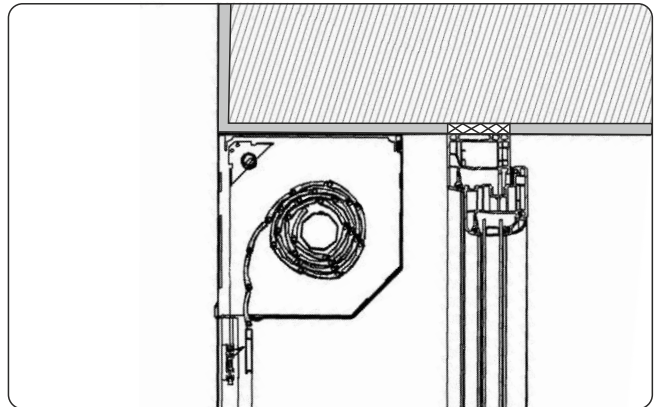
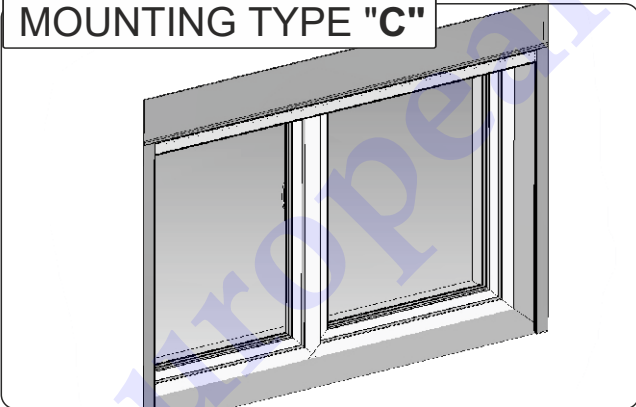
MOUNTING TYPE "A"



MOUNTING TYPE "B"

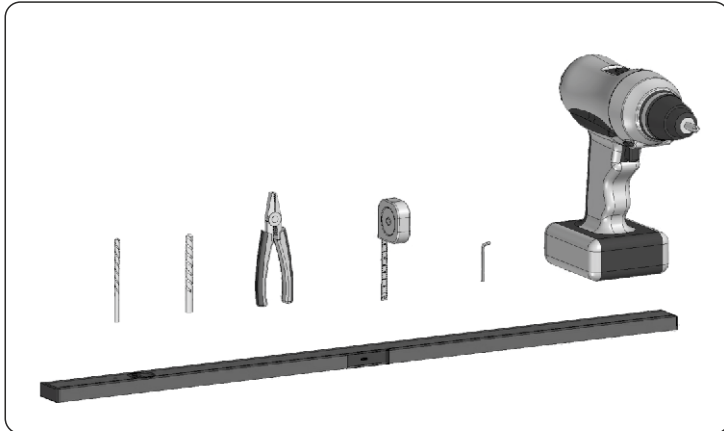


MOUNTING TYPE "C"

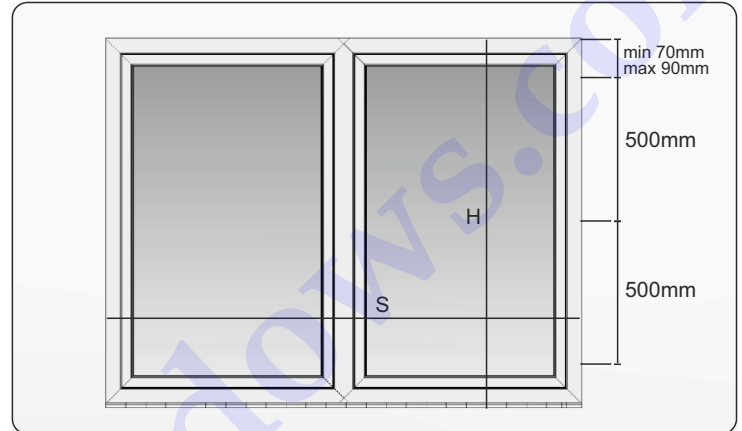


myeuropewindows.com

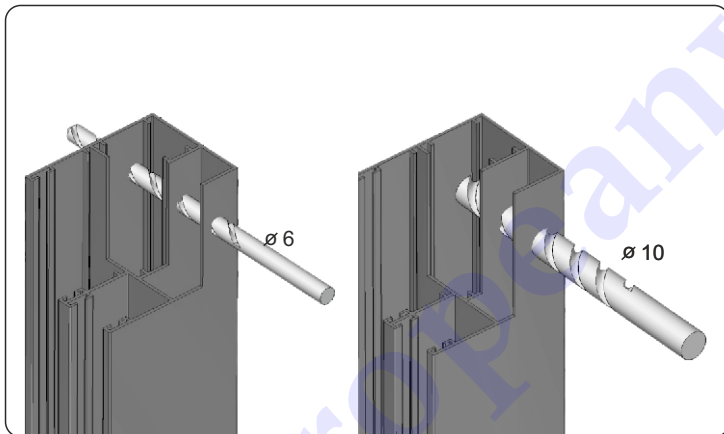
MOUNTING TYPE "A"



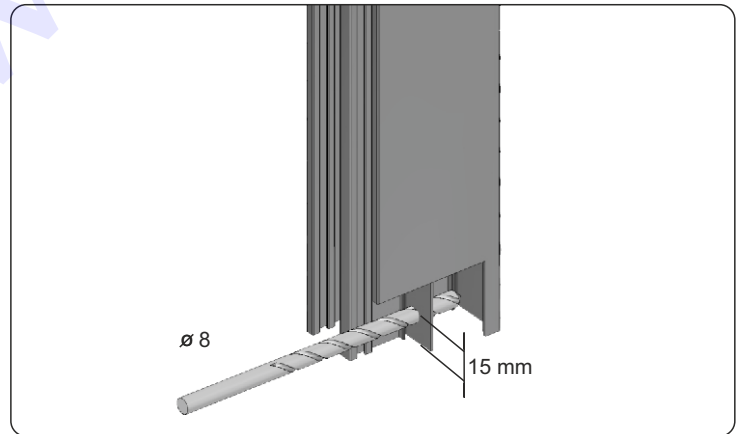
1. Tools necessary to mount the blind.
The GBP LLC does not provide screws and dowels struts and PVC tubes.



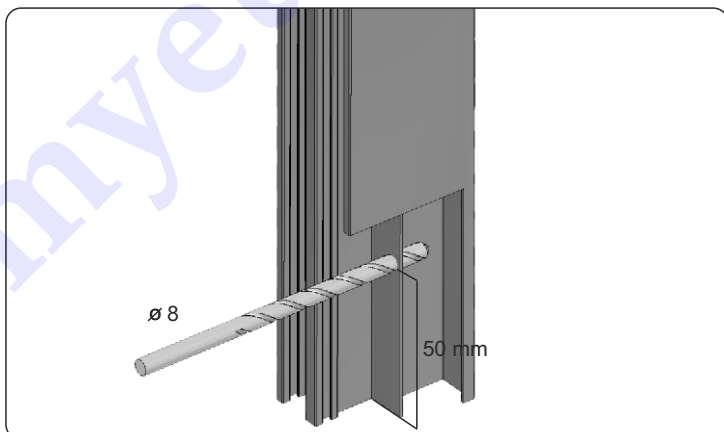
2. Dimensioning: H - height of opening S - width of the opening
Measure and mark the place where the holes are made on the guides for assembly screws. Drill the first hole under the guides in distance of max. 90mm from the upper edge of the building opening, further max. every 500mm.



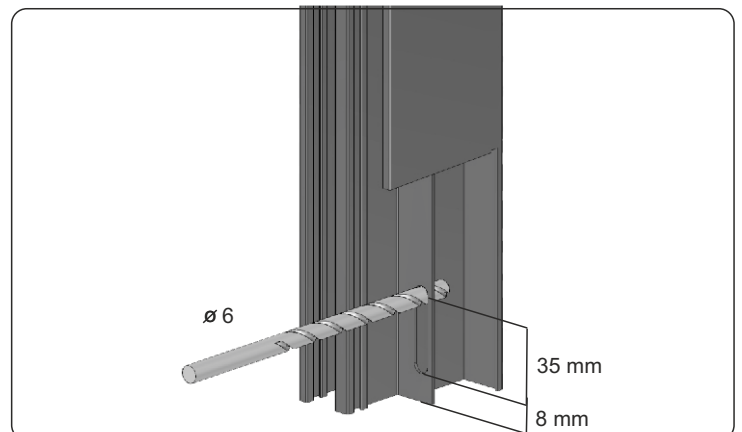
3. Drill the holes in the guides. Drill with a diameter of 6mm make a hole through the two guide chambers and a drill with a diameter 10mm increase the opening in the first chamber only from the side outer guide.



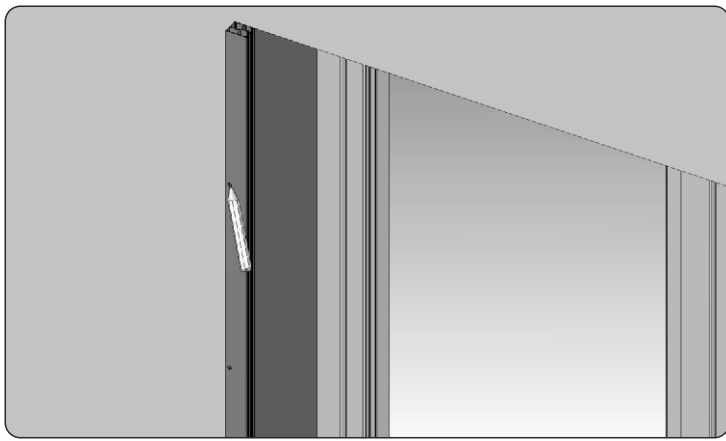
4. When installing the blind with automatic bolts, drill through the central part of the guide with a drill bit 8 mm in distance 15 mm from the bottom edge.



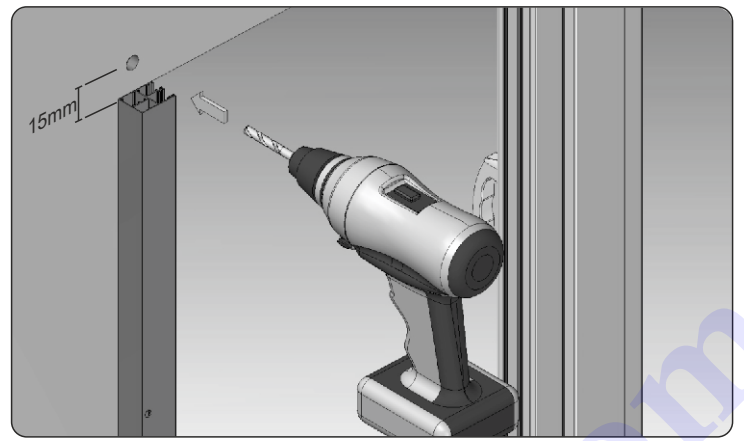
5. When installing a blind with bolts, drill a central one part of the guide with a drill bit 8 mm in diameter of 50 mm from the bottom edge.



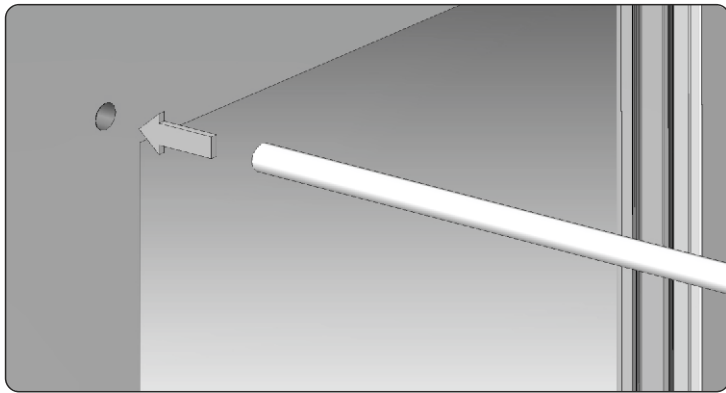
6. In the case of installing a blind with a cam lock, mill the central part of the guide with a 6 mm diameter drill in the distance 8 mm from the bottom edge. The hole should have a length of 35 mm.



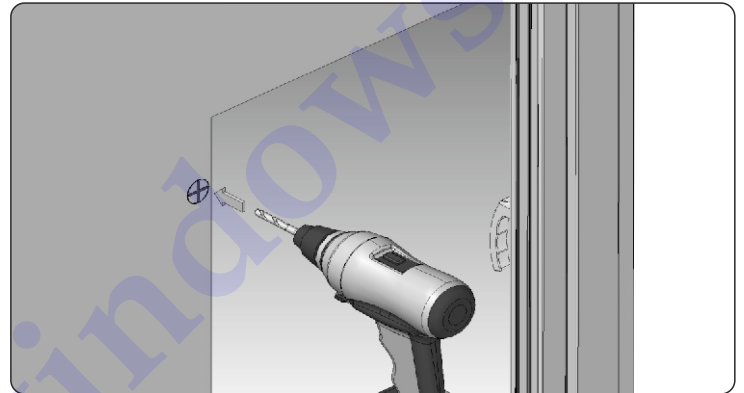
7. Place the drilled guides against the wall and mark the holes on mounting pins.



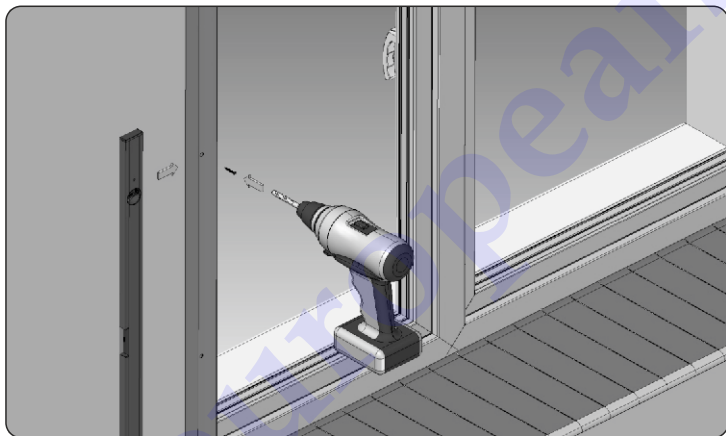
8. On the wall, mark the place of drilling for the strap, string or cable. Then drill 15 mm holes above the upper part of the guide in the middle of the chamber that introduces the foot of the box.
 - on the strap - first with a drill with a diameter of 12mm, then 20mm
 - a string - drill with a diameter of 12mm
 - from the power cord to the motor - a drill with a diameter of 10mm



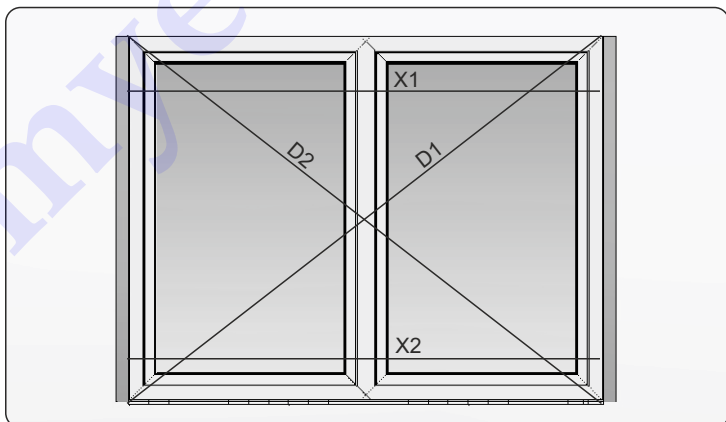
9. After making the hole for the tape, insert the a 20 mm diameter of PVC tube in the hole and cut evenly with the external face of the wall (GBP LLC don't provide this element). From the inside the tube must be shorter by 2 cm from the wall surface, for the construction of a ribbon grommet.



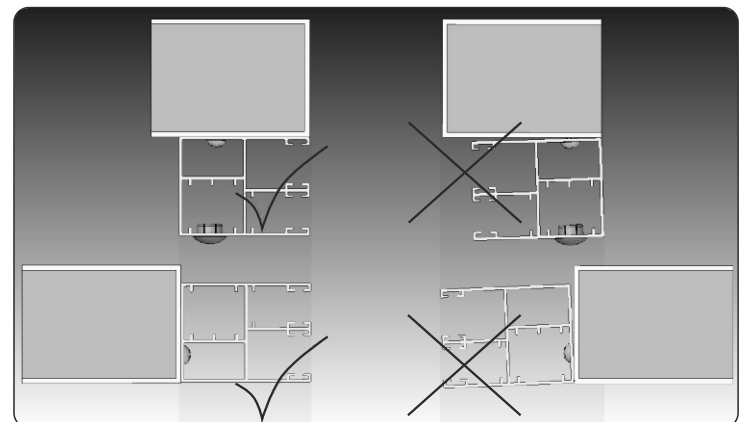
10. Mark the location for the holes on the wall as they are on the guide and drill it for the dowels. Insert the dowels into the drilled holes.

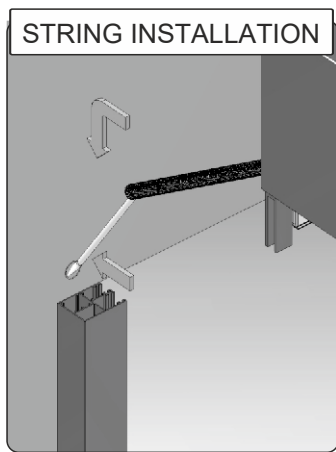


11. Screw and align the guides using a level on the surface. With blinds with a mosquito net it is necessary pay attention to put the guides on the right side so that the latches of mosquito net or system hooks KLIK-KLAK was located at the bottom of the guide.

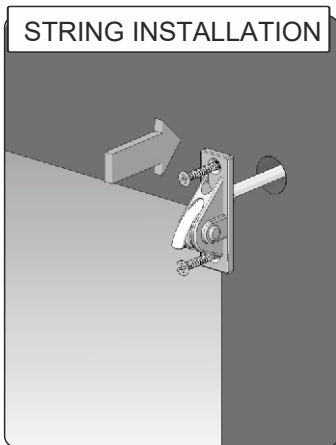
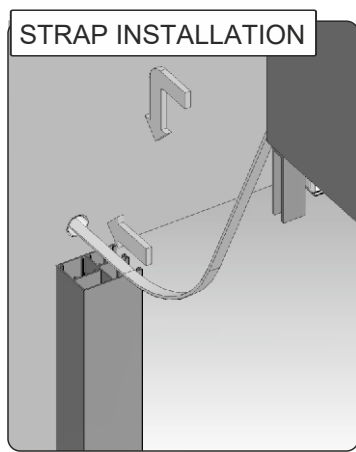


12. Measure the X1 and X2 dimension of the guide at the bottom and top, and both diagonals D1 and D2 - the discrepancy between the dimensions X1 and X2, and D1 and D2 should not exceed 2mm.

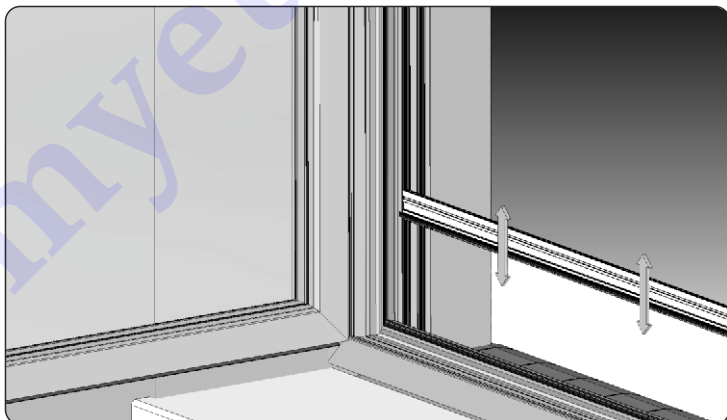
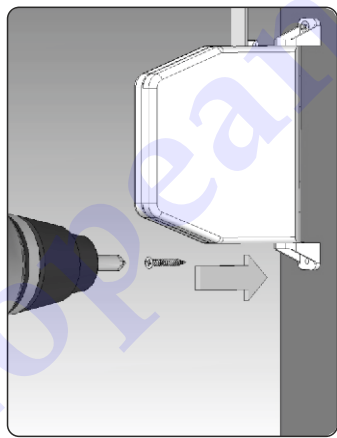
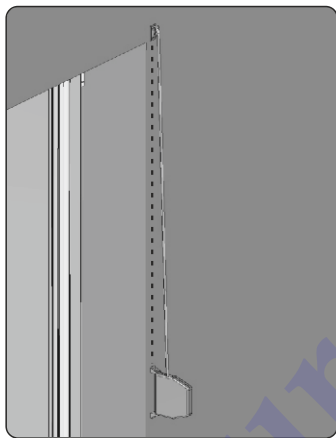
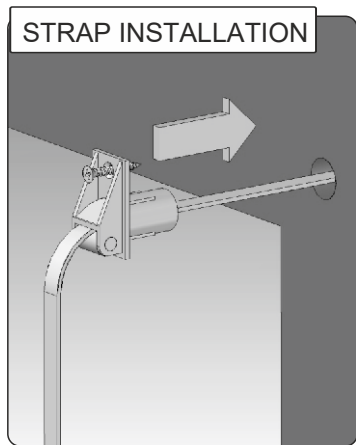




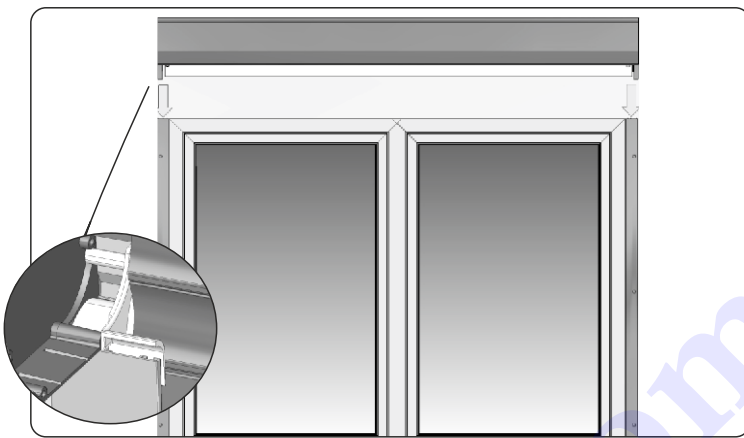
13. Pass the tape (cable or cord) through the hole into building.



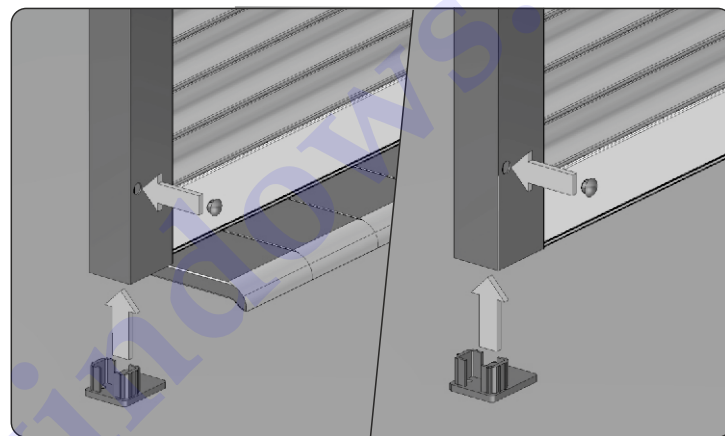
15. Pass the tape or cable through the grommet, then use the anchor or screw to attach the grommet to wall.



18. In roller blinds with a mosquito net, check the correctness of functioning mosquito nets.

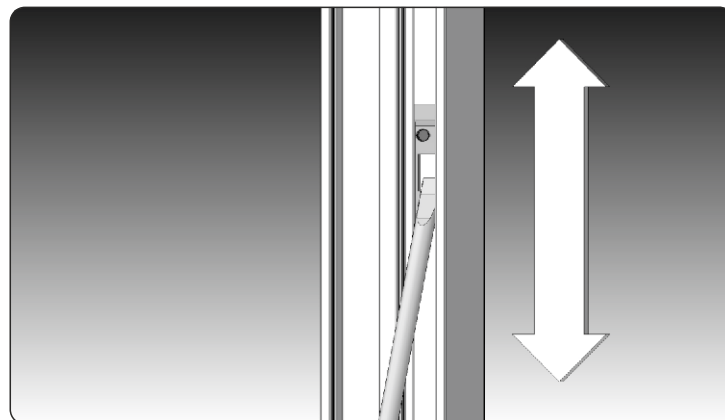


14. Carefully slide the box onto the guide by introducing the profile slider into the upper part of the guides. Blinds with a mosquito net, carefully insert the bottom rail so as not to damage the net.



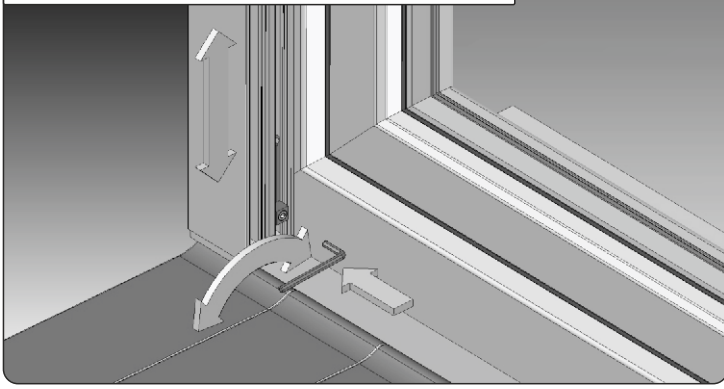
16. Make sure that the blind is properly attached (horizontally and vertically). Tighten the screws in the guides, then insert the caps. If necessary mount the bottom plugs of the guides. Check proper functioning of the blind. Check correctness operation of automatic bolts, bolts or lock, to make adjustments.

17. Mount the retractor vertically in relation to the strap or rope with a grommet. Lower the shutter, then the strap or rope should be cut for a length of 25 cm below the mounting location of the retractor. Pass the strap or rope through the hole in the retractor housing. If strap used cut a slit and attach to the hook. Holding the spring housing firmly, turn and release the retractor lock by pushing. If rope is used, after pushing through the retractor entry hole, light the tip with a lighter, this prevents the line from unraveling. Close the retractor and secure it to wall. (see assembly instructions for the retractor or cable).

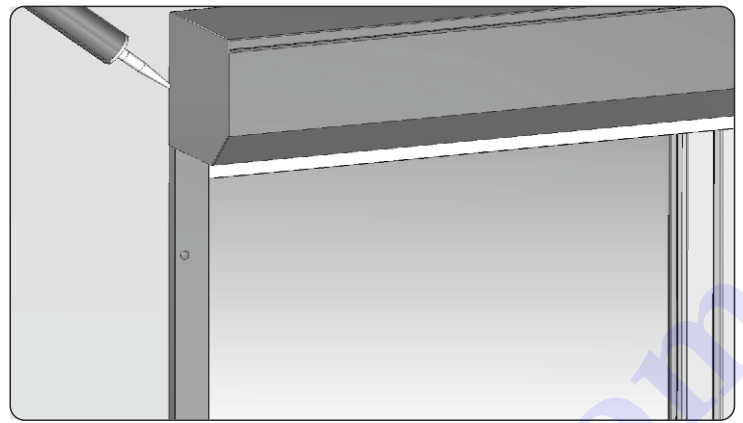


19. The closing height of the mosquito net can be adjusted by sliding hooks closing the mosquito net, which are located at the bottom of the guides ...

MOSQUITO NET WITH KLIK-KLAK



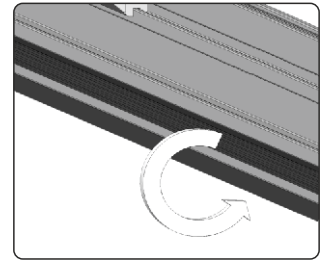
... after unscrewing the Allen screws with the 2mm key, please use a screwdriver to move the hooks up or down. In the case of the KLIK-KLAK system, unscrew the screw with the key 3mm hexagon socket and set to the desired height.



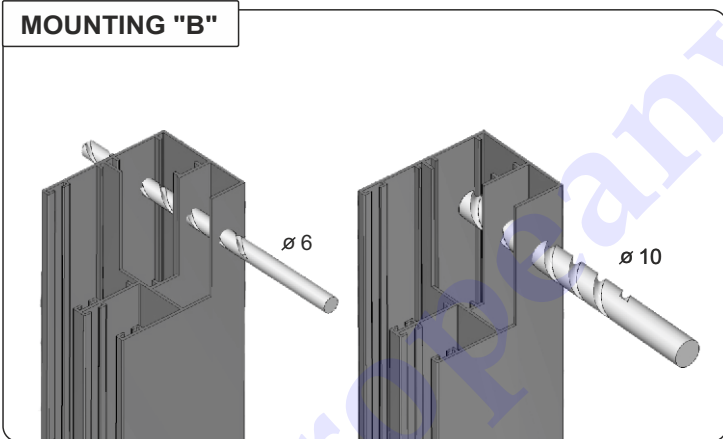
20. After the blind is installed we recommend filling the upper and side gaps between the wall and the roller shutter with silicone seals for protection against water. Blinds above 200 cm it is recommended to screw the roller shutter box to the header using flat head screws every 100 cm.

MOUNTING TYPE "B" & "C"

When installing external blinds with mosquito nets in installation type B (in the opening) in some cases it may happen that the handles of the bottom bar of the mosquito net can be held by the window frame. Then it is recommended installation of blinds on spacing strips or removal of holders, and change from the bottom slat gasket mosquito screens from the side channel to the bottom channel. Handles located in the bottom strip of the mosquito net are not indispensable element but facilitate the use of mosquito nets.

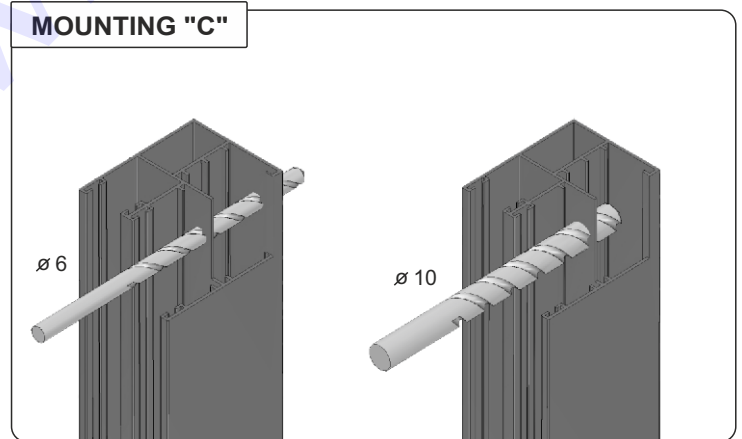


MOUNTING "B"

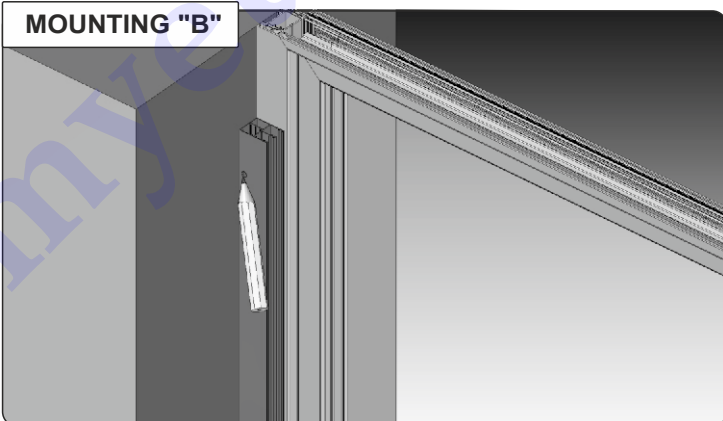


1. Drill the holes in the guides. Use a 6mm drill bit to drill a hole through the two guide chambers and a 10mm drill bit increase the opening in the first chamber only from the outer side of the guide (TYPE OF ASSEMBLY C - increase the hole in the middle wall the guide).

MOUNTING "C"

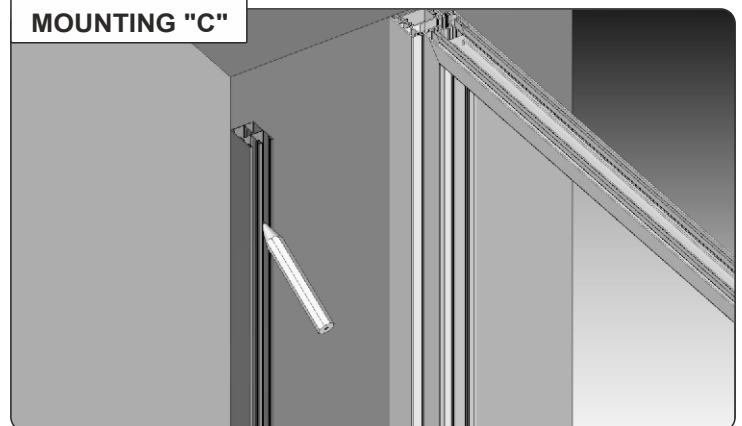


MOUNTING "B"

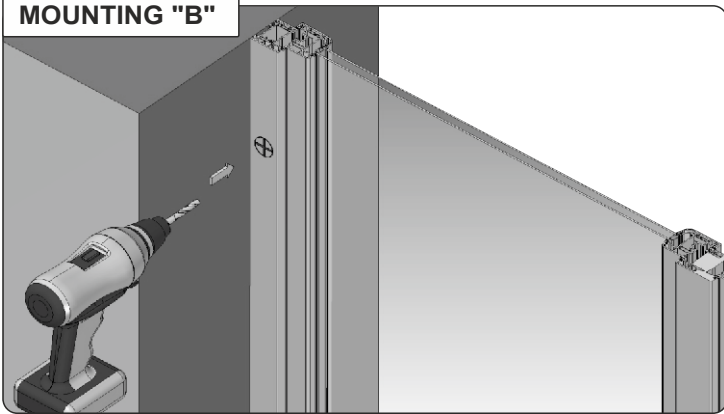


3. Place the drilled guides against the wall and mark the holes for screws on the window frame.

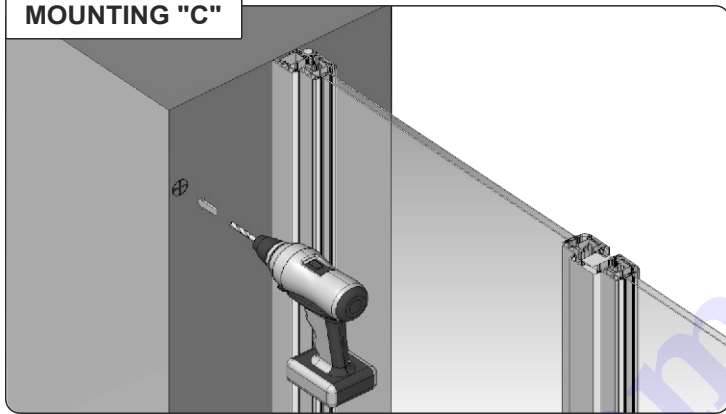
MOUNTING "C"



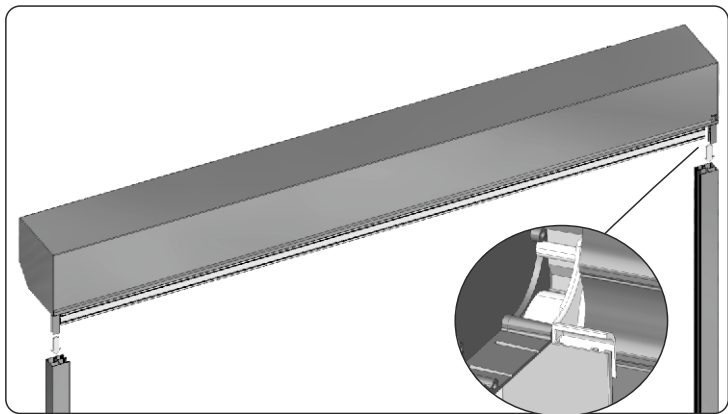
4. Place the drilled guides to the wall and mark holes for mounting screws in the side of the opening

MOUNTING "B"

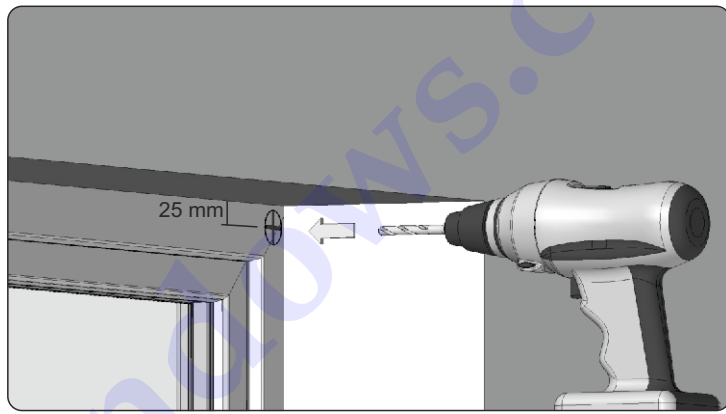
5. Drill holes in the marked places on the window frame for the screws.

MOUNTING "C"

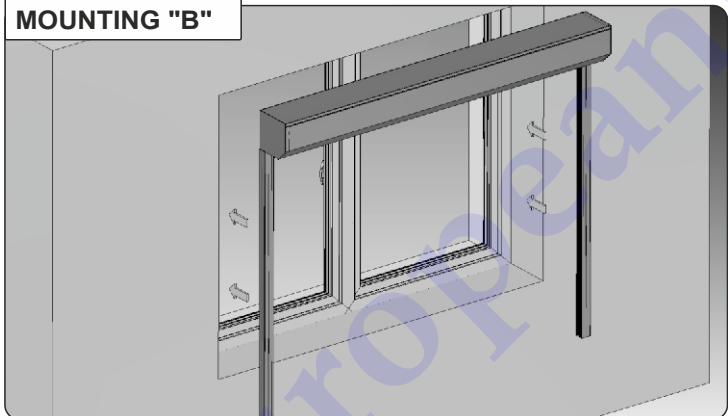
... when assembling C - drill holes in the marked places on the wall.



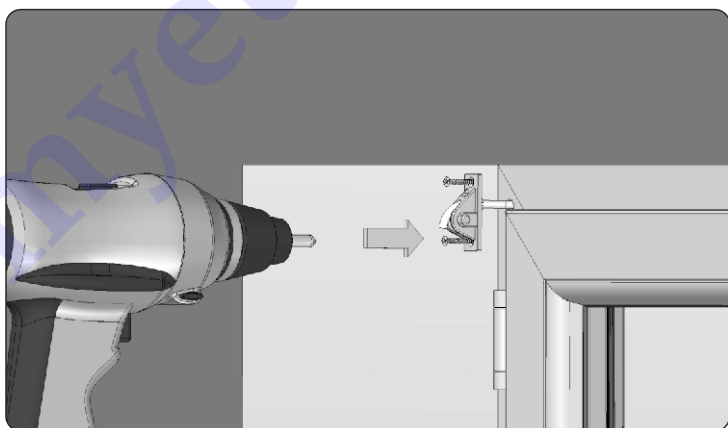
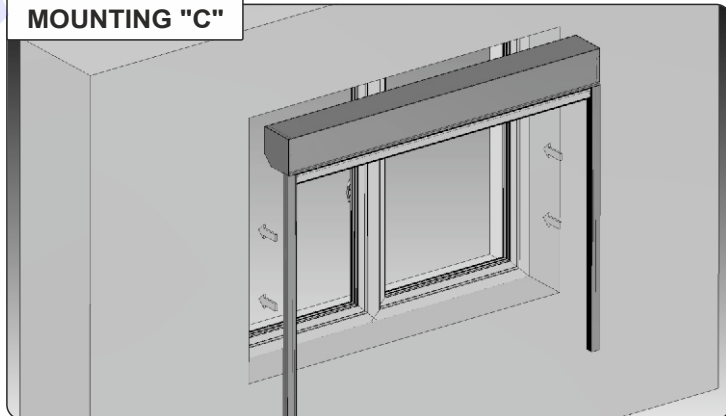
6. Carefully slide the box into the guide by introducing the profile sliders into the upper part of the guides. Blinds with a mosquito net, carefully insert the bottom latch making sure not damage the netting and pay attention to the KLIK-KLAK system at the bottom of the guide.



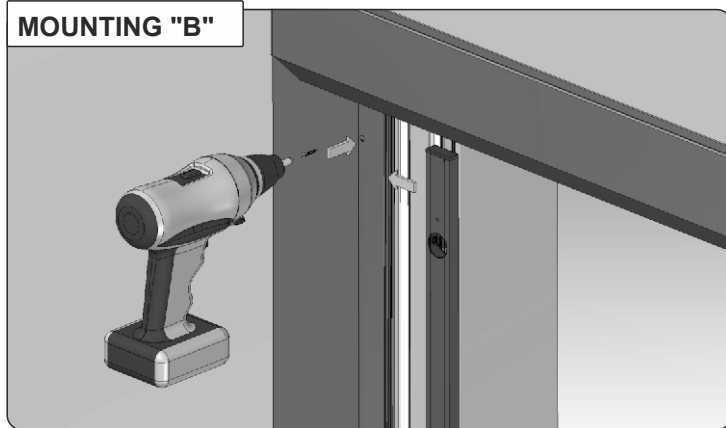
7. With the type of mounting into the openings on the window frame as a manual drive, the company GBP LLC recommends the rope retractor. Place on the window frame drilling into a cable or cord. Then drill the hole 2.5 cm under the upper part of the recess.
 - a cable - a drill with a diameter of 12mm
 - from the power cord to the motor - a drill with a diameter of 10mm

MOUNTING "B"

8. Carefully insert the box with the standard guides or angular in the window opening.

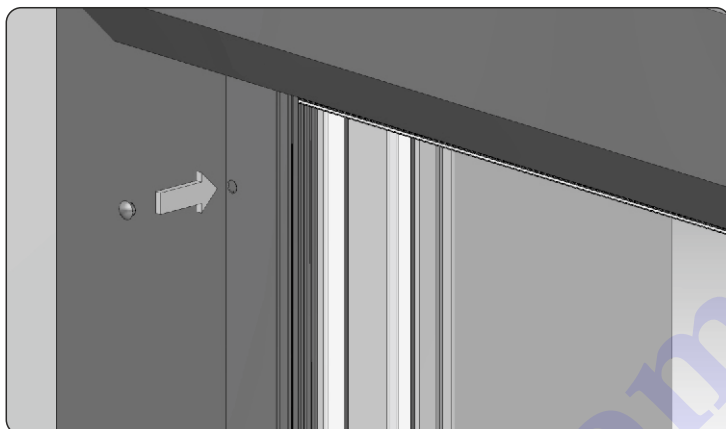
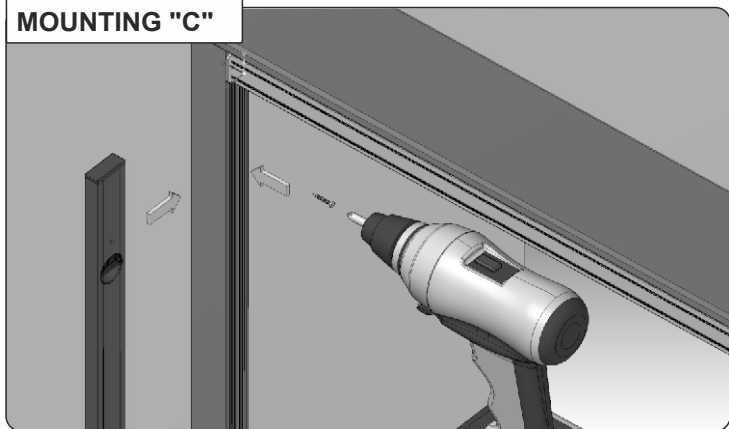
MOUNTING "C"

9. Push the strap or rope through the guide, then the grommet and screw to the wall.

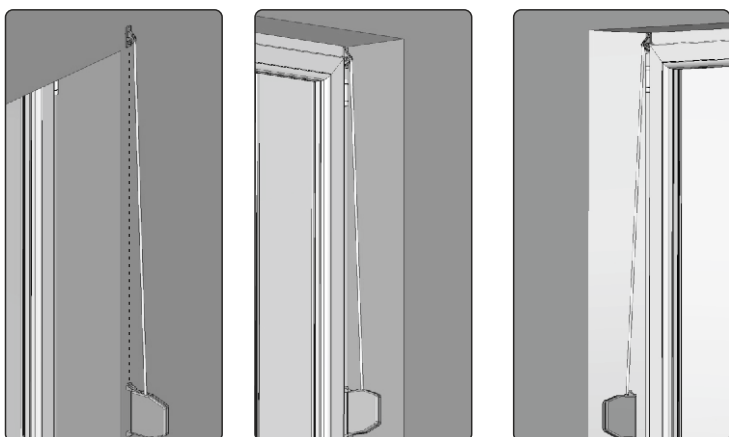


10. Screw and align the guides using a level guide to the surface.

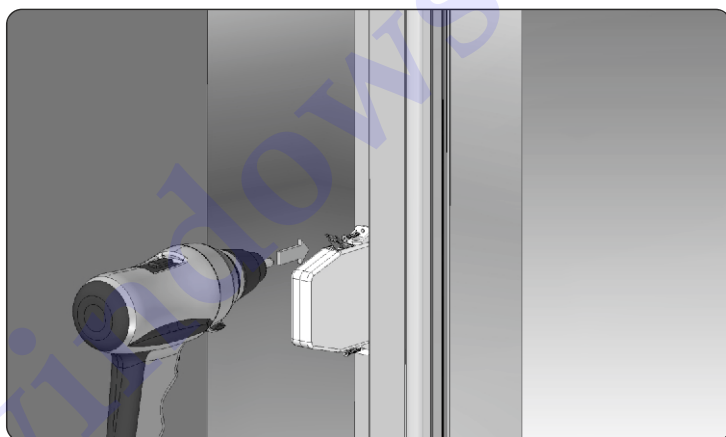
MOUNTING "C"



11. Make sure that the blind is properly mounted (horizontally and vertically). Tighten the screws in the guides and then insert caps. Check the correct functioning of the blind. Check the correct operation of automatic bolts and bolts or lock, adjust if necessary.



12. The retractor should be screwed to the wall or window frame vertically in relation to the cable outlet from the grommet. The retractor should be located no more than 1.8 m from the ground.



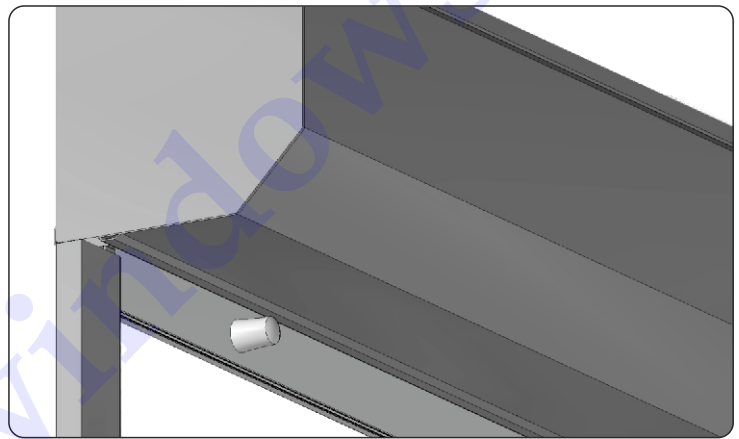
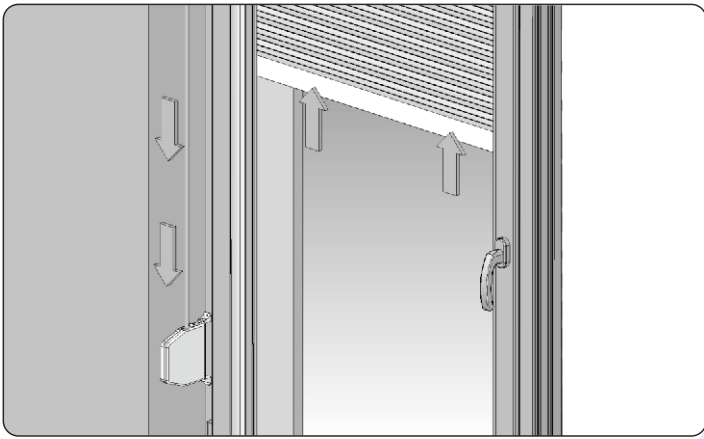
13. Lower the shutter blinds, then the straps or rope should be cut for a length of 25 cm below the mounting location of the retractor. After put the rope through the retractor hole, and light with a lighter, this will prevent it from unraveling the rope. Close retractor and attach it to the wall. (see assembly instructions cable retractor).

OPERATION MANUAL

ROLLER SHUTTER WITH MOSQUITO SCREEN

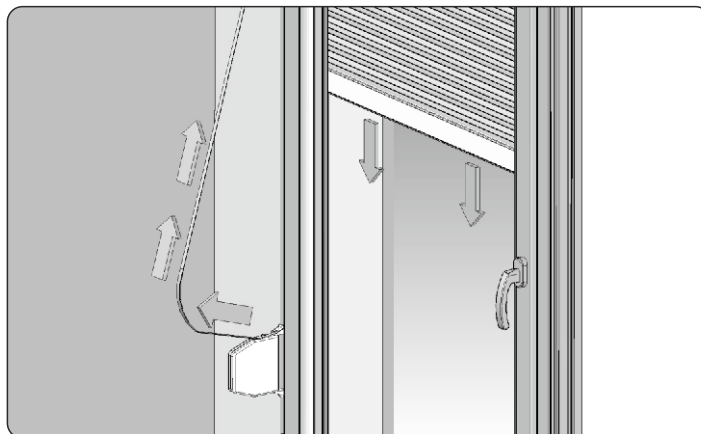
1. Raising the blind

Grab the strap and pull it down. During this time, the loose part of the tape will be rolled up to the retractor and the roller shutter's blind will rise to a certain height. Repeat the procedure several times until the blinds stops by the limiters mounted in the bottom bar and the blind is completely open. The last movement of the tape should be made slowly so that the stops do not hit the roller shutter box too much.



2. Lowering the blind

Grab the strap just above the retractor and pull it towards you at an angle of about 20 degrees to release the retractor lock. Then, holding the tape, it should be moved gently towards the window, so that the falling blind will pull the tape inside. Repeat the procedure several times until the blind is completely closed. When lowering the shutter, make sure it does not hit the bottom too much. When lifting and lowering the blind, it can be stopped anywhere, leaving the room partially shaded. When lifting and lowering the blind, make sure that the movement of the tape is perpendicular to the exit of the tape from the box. Tape deviations can cause it to bend and jam.



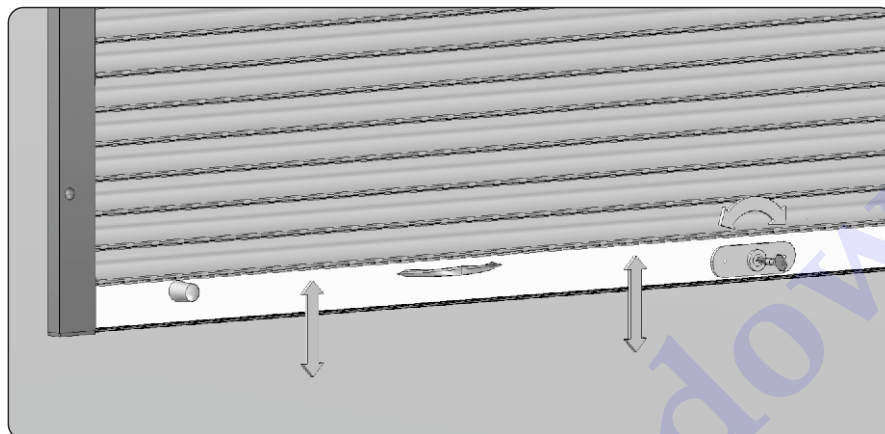
Spring drive:

1. Raising the blind.

Grab the handle in the bottom strip and hold the blind. Use the key to release the lock. Slowly release the blind. The blind will roll up automatically and will stay open.

2. Closing the blind:

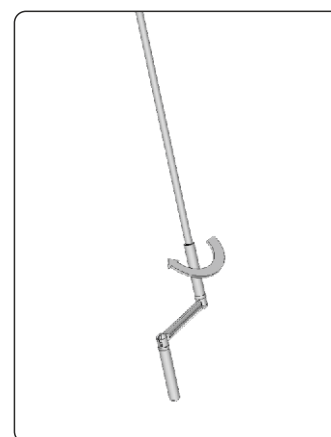
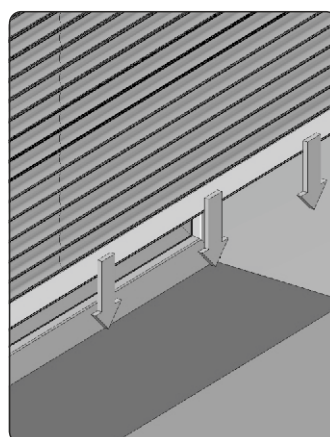
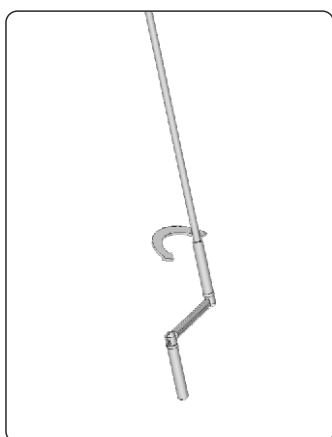
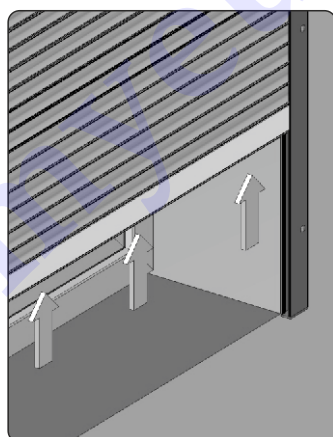
Hold both handles in the lower bar with both hands and evenly pull the blind down. Hold the blind in the lower position and turn the key to lock the blind.



Drive for a crank with Cardan joint:

In blinds equipped with a crank lifting mechanism with a cardan gear, the crank is supplied with a blind. After installing the blind, place the crank rod in the gearbox through the hole in the roller shutter box. Next - depending on the type of blind installation - the crank should be screwed to the box or using wall plugs to the wall of the building. An additional element fixing the crank arm is a special clamp, which is screwed by means of screws (dowels) to the wall in the lower part of the crank arm. The design of the crank arm thanks to special joints allows you to "straighten" it for aesthetic purposes when the blind is not operated. To raise or lower the blind jacket, turn the crank in the right direction.

The operation of the crank lifting mechanism requires special care and feeling, as the gear used allows for obtaining large forces that may damage the shutter elements. Therefore, stop turning the crank when you feel resistance or notice that the roller shutter has stopped when lowering. In external blinds, the rotation of the crank clockwise causes lowering of the roller shutter, while the rotation of the crank counter-clockwise causes the roller blind to be lifted



Drive for the engine:

Press the switch key with the appropriate marking of the roller blind direction (up / down). At this moment, the blind will start raising or lowering. To stop the engine operation, release the switch key or briefly press the opposite direction key (in the hold-back switches). When the blind is fully open or closed, the motor will automatically stop by the limit switch.

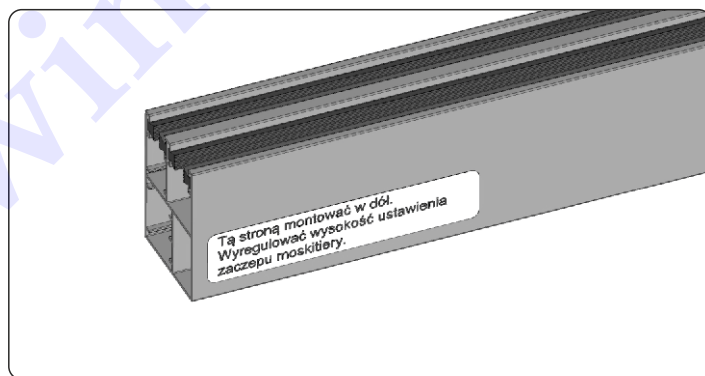
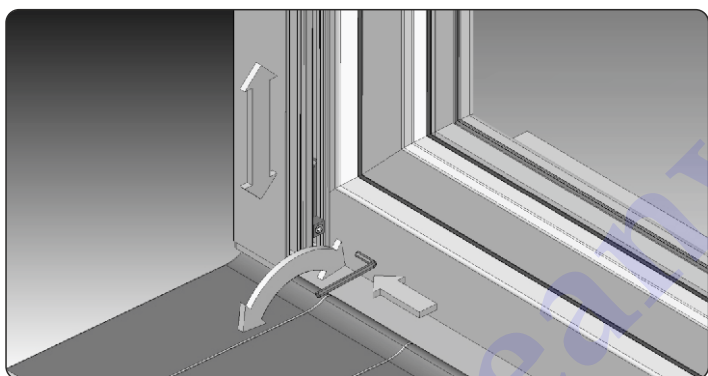
If you notice that the roller shutter's blind has stopped and the engine is still running, immediately switch off the engine by releasing the switch (by briefly pressing the opposite direction key in the switches with hold). The tubular motor has a thermal switch that stops the engine when a certain temperature is reached. The time of continuous engine operation is about 4 minutes. After this time, the engine can be turned off until it cools down, i.e. for about 30 minutes.

Adjustment of the mosquito hooks after installing the blind

KLIK-KLAK system

To adjust the hooks located in the bottom of the mosquito guide, the key is used Allen head 3 mm, by means of which the Allen screw should be loosened. Then set both hooks at the same height so that the gasket of the bottom strip of the mosquito net is in contact with all of its length evenly to the window frame or window sill (depending on the type of assembly), and the handrails of the bottom slat Mosquito nets were located above the window frame.

Diligence and precision are required for this.

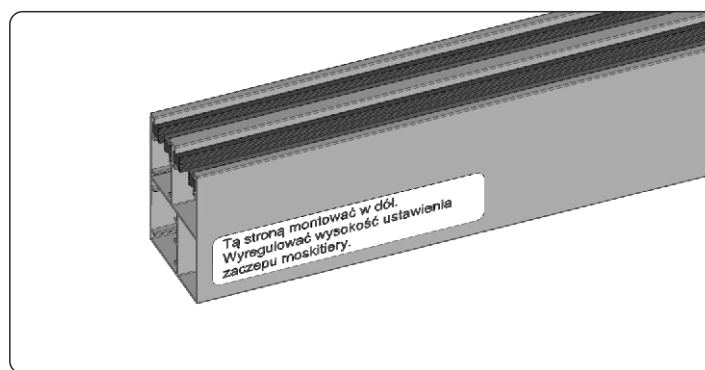
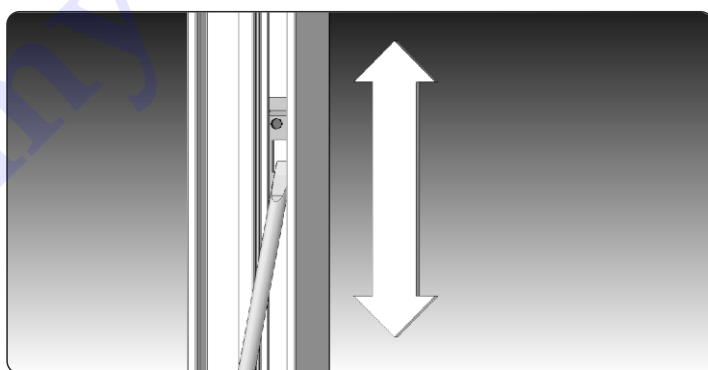


FISHING SYSTEM

To adjust the hooks located in the bottom part of the mosquito guide, a 2 mm Allen key is used to loosen the Allen screws. Then, with a flat tool such as a screwdriver, both hooks should be set at the same height so that the gasket of the bottom of the mosquito rests along its entire length evenly to the window frame or window sill (depending on the type of assembly) and the bottom slats of the mosquito net were above the window frame .

Diligence and precision are required for this.

NOTE - The guides must be mounted as described on them !!!

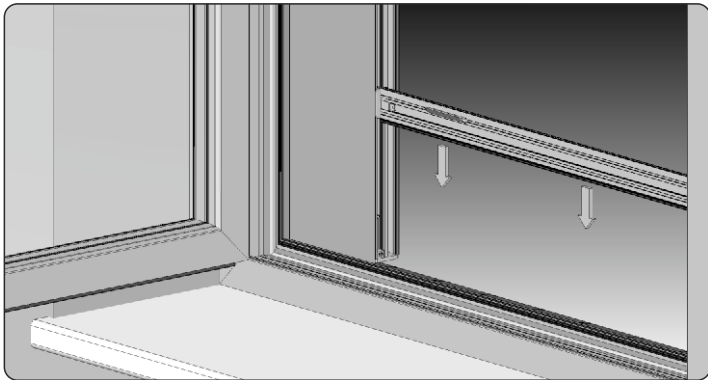


Supports mosquito nets in external blinds

Closing the mosquito net:

KLIK-KLAK System

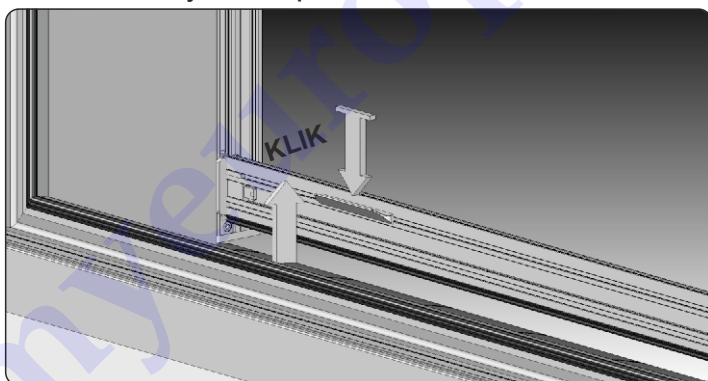
Hold both handles in the lower bar with both hands and evenly lower the mosquito net. The mosquito net will lock in the lower position when we hear the characteristic **CLICK**.



Opening the mosquito net:

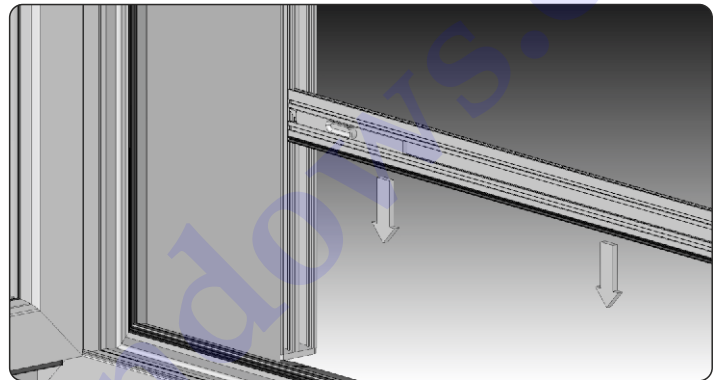
KLIK-KLAK System

Grip the handle in the bottom of the mosquito nets with both hands gently and downwards and release the lower bar from the bracket holder. The bottom bar automatically releases from the catches - then the characteristic **CLICK** is heard, after which the mosquito net automatically rolls up.



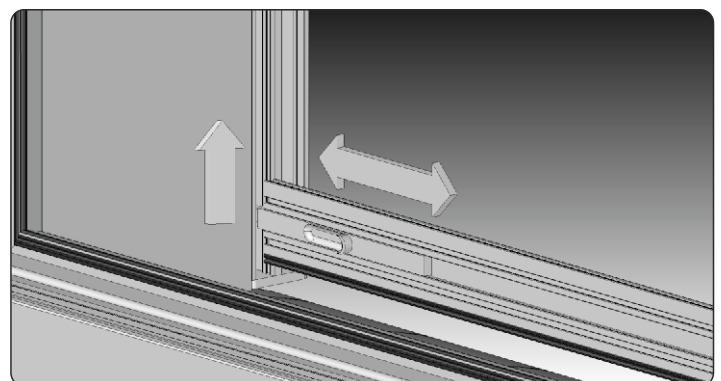
FISHING SYSTEM

Hold both handles in the lower bar with both hands and evenly lower the mosquito net. The mosquito net will close when the bolts lock into the guides.



FISHING System

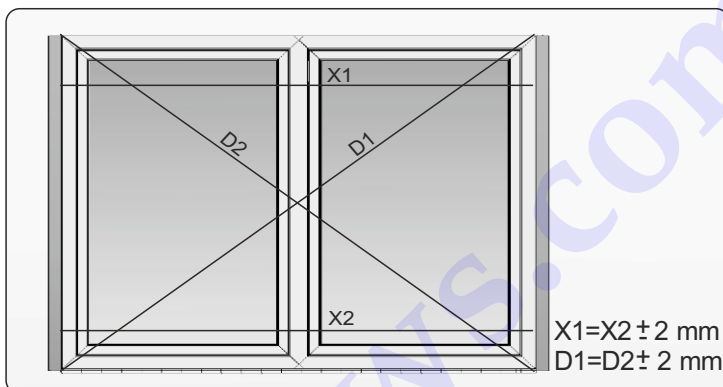
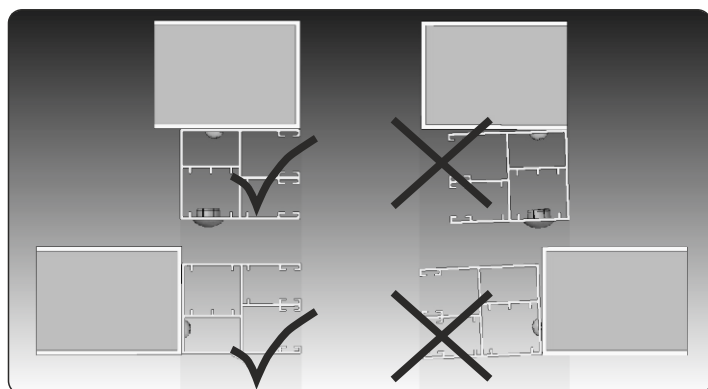
Grab the bolts in the bottom of the mosquito net and move them gently in the inner side of the slat, then gently lift upwards. The mosquito net will automatically roll up.



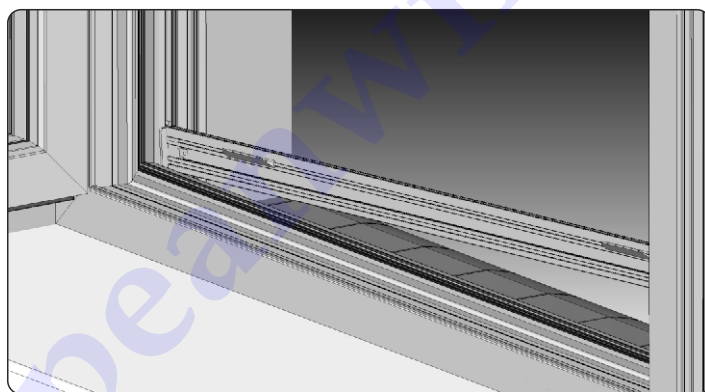
After proper assembly and adjustment, the mosquito net should run smoothly without causing the netting to ripple. After lowering the mosquito net, the bottom bar should be closed and opened without any problems.

Causes of improper functioning of the mosquito net in external blinds

Incorrect installation of the guides may cause a malfunction of the KLIK-KLAK system.



Incorrect adjustment of the catches in the mosquito net guides relative to each other may cause problems with the proper functioning of the mosquito net hook (eg one side of the mosquito net lower edge is attached to the hook and the other not).



Emergency situations:

1. It should be noted that in the winter during strong frosts, when opening the window, do not leave the blind ajar. The temperature difference causes the water vapor to settle on the blind and, as a result, its subsequent freezing. Therefore, before opening the window, the roller shutter blind should be completely raised.
2. In the winter, icing and freezing of the blind to the ground may occur. An attempt to open the blind in such a situation may lead to the breaking of the blind (especially with the electric drive). In the period of snow or heavy frosts, before starting the blind, check that there is no ice or snow on the window sill or in the guide rails. In case of icing on the blind, it is necessary to gently crush the ice or wait for it to melt.
3. During the expected snowfalls or strong frosts, it is recommended to turn off the automatic timer and operate the blinds by means of a switch, controlling their opening and closing.

Roller maintenance:

The roller shutter maintenance consists of periodically cleaning the roller shutter from dust and dirt, which may cause damage to the varnish. The roller blind should be cleaned with a soft cloth using generally available mild cleaning agents. Do not use abrasives or abrasive agents. Make sure that no objects are left in the guide channel or the box to cause the roller shutter curtain to jam. The brush seals in the guides should be soft without dust and elements that impede the movement of the blind.

Safety rules:

1. Do not allow the blind to be completely pulled into the roller shutter box.
2. Do not allow the blind to be rewound on the roller shutter tube when lowering.
3. Do not stand under the blind during opening and closing.
4. It should be noted that when leaving the blind from the box, did not encounter any obstacle.
5. When using the blind, attention should be paid to the condition of the tape and the retractor. Damage it may cause automatic fall of the blind and damage to the shutter elements.
6. If any part of the blind is found to be damaged or its function is incorrect, stop using it and call for service. Using an inoperative or damaged blind can cause a threat to the health and life of the user.
7. Any work related to the repair or replacement of damaged parts of the blind can only be done a trained person. Individual attempts to repair the blind may result in the loss of the guarantee.
8. Noise emission through a roller blind is not considered a significant hazard and is a matter of comfort. Level the emission of sound pressure is less than or equal to 70 dB (A).



**IMPORTANT SAFETY INSTRUCTIONS. WARNING -
PROCEDURE UNDER THIS MANUAL IS ESSENTIAL
FOR THE SAFETY OF PEOPLE.
SAVE THESE INSTRUCTIONS.**



Genesis Building Products LLC

348 County Road 3521
Bullard, Texas 75757 USA
1(903) 600-5040
info@myeuropeanwindows.com
www.myeuropeanwindows.com